

## LOW COST TOGGLE FOR WET & DUSTY ENVIRONMENTS

These toggle switches are rugged, high performance sealed switches designed for use under severe conditions found in heavy equipment, industrial control, marine and appliance applications. They are totally sealed so the switch can withstand direct water spray and submersion, even during operation. They are designed to meet the international submersion specification level IP68. OTTO's front panel seal is accomplished with an O-ring under the bat handle. However, now a secondary visible bushing seal is offered as an option.

T7 series toggles are offered in single and double pole configurations. A choice of models are offered to handle power levels to 16 amperes, 1/2HP and low level electronic switching applications.

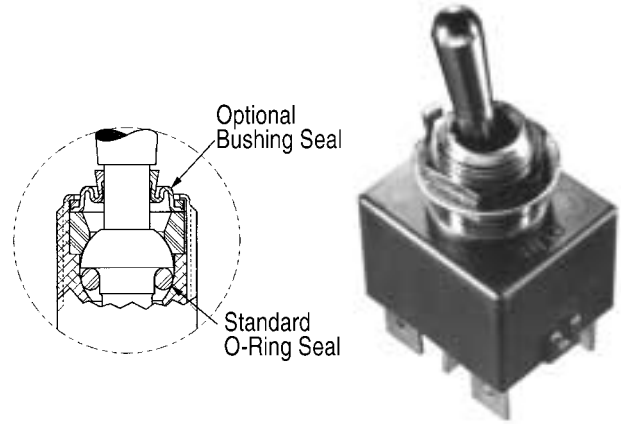
These toggles feature positive detent action for safe switching operation. In conjunction with the unique OTTO snap-action switch mechanism, the T7 series offers non-teasible contact transfer.

High contact pressure and superior contact wiping action of the OTTO design makes the T7 series an excellent choice for switching loads from logic level up to 16 amperes.

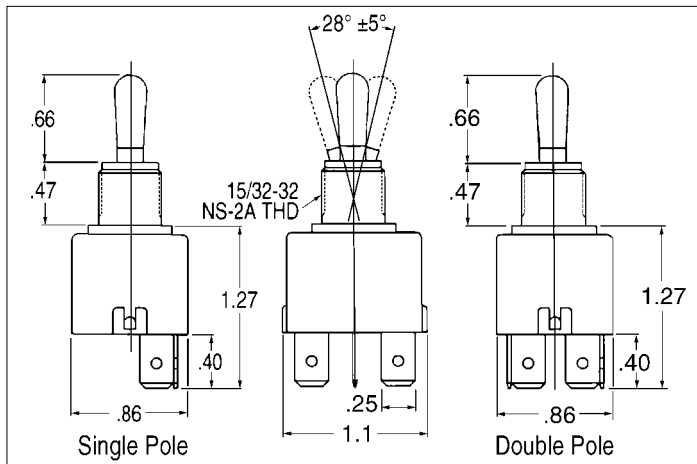
Mounting hardware provided includes two hex nuts, one lockwasher and one keyway washer. An optional panel gasket is also available.

### Quality Features:

- Withstands direct water spray
- Submersible. Designed to meet IP68
- Switches up to 16 Amps
- Withstands extreme shock & vibration
- Positive detent, non-teasible contact transfer
- 2- & 3-position, momentary and maintained action
- Choice of terminal styles
- UL & CSA recognized



Standard Characteristics/Ratings:		
<b>OPERATIONAL:</b>		
<b>Mechanical Life:</b>	100,000 cycles, minimum	
<b>Seal:</b>	Watertight, submersible to IP68	
<b>Temperature Range:</b>	-30°C to +85°C	
<b>Bushing &amp; Toggle Handle:</b>	Precision machined or cast	
<b>Case:</b>	Thermoplastic	
<b>Terminals:</b>	Copper alloy	
<b>Contacts:</b>	Fine Silver/Silver cad. oxide	
<b>ELECTRICAL: (at 28 VDC or 115 VAC, 60/400 Hz.)</b>		
<b>Load</b>	<b>Amperes</b>	<b>Life (Min.)</b>
Resistive	16A	25,000 cycles
Resistive	10A	50,000 cycles
Inductive	10A	25,000 cycles
Motor	1/2HP	25,000 cycles
<b>Dielectric Withstand:</b> 1050Vrms		



### T7 PART NUMBER CODE

T 7 - X X X X X

Circuitry	Terminal Style	Contact Rating	Circuit Made with Actuator at:			Toggle Style
			Keyway Side	Center	Opposite Keyway	
1. 1 Pole	1. 250" O.C.	1. Standard	A. ON	None	OFF	1. Bat Handle
2. 2 Pole	2. Screw	2. Low level	B. ON	None	ON	2. Lever Lockout
	3. Solder		C. MOM-ON	None	OFF	(Consult factory)
	4. PC Pin		D. MOM-ON	None	ON	3. Dome Button
	(Consult Factory)		E. MOM-ON	OFF	MOM-ON	4. Rocker Button
			F. ON	OFF	ON	5. Bat Handle With Bushing Seal
			G. MOM-ON	OFF	ON	
			H. OFF	None	ON	
			J. OFF	None	MOM-ON	
			K. ON	OFF	MOM-ON	

T7 Connector part number C801765.